

BLAZE KING

Briarwood II
Royal Guardian
Wood Stoves





Briarwood with painted door

BRIARWOOD II

Unique Styling The Briarwood II is unique because it has a 22" extra wide glass viewing area. The design is clean and modern and made from the finest materials available.

Performance The 2.1 cu.ft. firebox comes complete for easy install and has a solid, one piece welded construction for long life. The stove will take a 22" log and has an extra wide door opening that makes it very easy to load. The Briarwood II has a stainless steel secondary combustion air burn system which maximizes the available heat from the wood. The extra large ceramic glass allows more of this heat to radiate into the room. The Briarwood II is an efficient stove that maximizes your enjoyment of the fire.



Briarwood with optional satin door trim

Briarwood II - Performance	
Maximum Heat Output*	70,000 Btu
Average High Heat Output*	40,000 Btu
Area Heated* sq.ft.	500 to 1,200
Optimum Efficiency (LHV)	79.7%
Overall Efficiency (EPA Listed)	71.4%
Wood Length	22"
Low Burn Time*	6-8 hours
Firebox Size	2.1 cu.ft.
Emissions	3.5 gr/hr.
Flue Size	6"

* Length of burn time and BTU range depend on type of wood, moisture content, climate conditions and installation.

ROYAL GUARDIAN

Design The Royal Guardian sets the standard of usability and performance for a stove with a secondary air combustion system. You can load wood either front to back or side to side for your convenience. The heat setting or damper control rod is located at the top of the stove for ease of use. The air wash system helps keep the glass clean. You do not have to bend to adjust the heat setting as the damper control rod is located near the top of the stove.

Performance A single load of wood can provide warmth for up to 8 hours. With an optimum efficiency of 82.9% this EPA certified stove is both clean burning and efficient. An optional, variable speed fan helps distribute heat around your home while the heat radiating ceramic glass provides maximum warmth.

Royal Guardian - Performance	
Maximum Heat Output*	65,000 Btu
Average High Heat Output*	40,741 Btu
Area Heated* sq.ft.	700 to 1,300
Optimum Efficiency (LHV)	82.9%
Overall Efficiency (EPA Listed)	71.1%
Wood Length	16"
Low Burn Time*	6 - 8 hours
Firebox Size	1.74 cu.ft.
Emissions	5.8 gr/hr
Flue Size	6"

* Length of burn time and BTU range depend on type of wood, moisture content, climate conditions and installation.



Royal Guardian with painted door



Royal Guardian with optional satin door, side shields and fan kit

Briarwood II / Royal Guardian Clearances

Minimum Clearance to Combustibles (See owner's manual for complete list prior to install)

	Briarwood II	Royal Guardian
A – Side Wall to Side of Unit (Mobile Home*)	15" (14")	16" (12")
B – Rear Wall to Back of Unit (Mobile Home*)	15" (8")	10" (6")
E – Adjacent Wall to Corner of Unit (Mobile Home*)	15" (8")	12" (8")
J – Minimum Alcove Height	72"	72"
K – Horizontal Flue to Ceiling, USA	18"	18"

(In Canada, if K=18", then J=79 3/8") *Please see owners manual for mobile home requirements

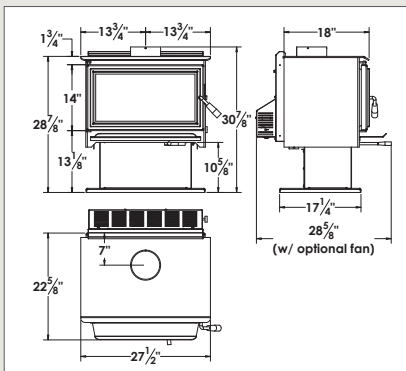
Hearth Protection - Briarwood II and Royal Guardian

G – Ember protection to Side of Unit	5 1/2" (USA) 8" (Canada)
H – Door opening to edge of ember protection	16" (USA) 18" (Canada)
I – Rear of stove to edge of ember protection	0" (USA) 8" (Canada)

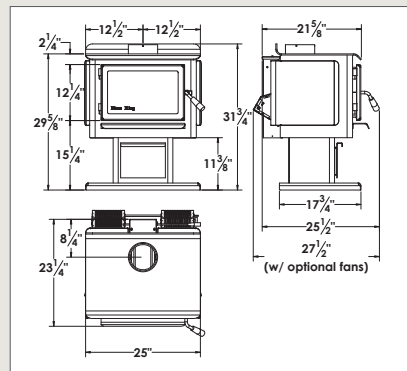
For C, D, and F dimensions please consult the owners manual.

Dimensions

Briarwood



Royal Guardian



Specifications	Briarwood II	Royal Guardian
Area Heated*	500 to 1200 sq. ft.	600 to 1300 sq. ft.
Wood length	22"	16"
Wood capacity (soft wood)	35 lbs.	30 lbs.
Wood capacity (hard wood)	44 lbs.	37 lbs.
Flue size	6"	6"
Door opening	22" x 11"	14 3/4" x 8 1/4"
Firebox capacity cu.ft.	2.1	1.8
Firebox depth (front to back)	12 1/2"	16 1/2"
Firebox width	22 1/2"	16 1/2"
Firebox height	13 3/4"	12 1/4"
Emissions grams/hour	3.5	5.8
Maximum heat output*	75,000 BTU's	70,000 BTU's
Average Heat output on high*	40,000 BTU's	39,000 BTU's
Burn time*	Up to 8 hours	Up to 8 hours
Weight	330 lbs.	300 lbs.

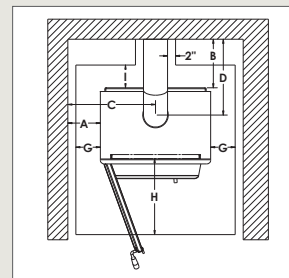
* Length of burn time and BTU range depend on type of wood, moisture content, climate conditions and installation.

Features and Options	Briarwood II	Royal Guardian
Stainless steel Baffle and secondary air burner	-	S
Stainless Steel multi port secondary air baffle	S	-
Easy, one-touch operation	S	S
Stove top air control	-	S
Air-wash Technology for clean glass	S	S
Metallic black finish	S	S
Heavy steel construction	S	S
Primary air for easy lighting	S	S
Mobile home approved	S	S
Pedestal	S	-
Pedestal with Ash pan	-	S
Satin Door	-	O
Gold and satin door inlay	O	-
Variable-Speed Twin Fan System	O	O
Outside combustion air kit	O	O

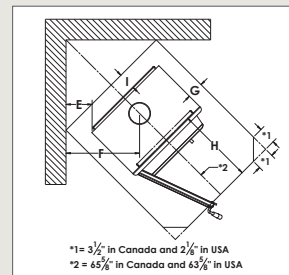
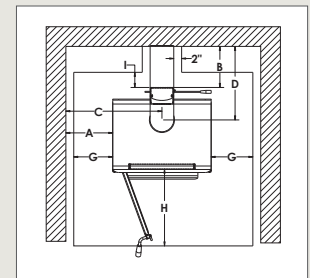
S - standard feature, O - optional feature, - not available

Clearances

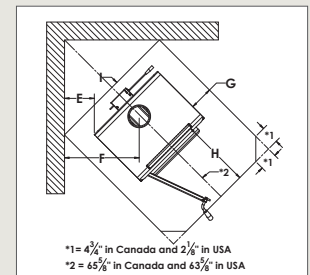
Briarwood



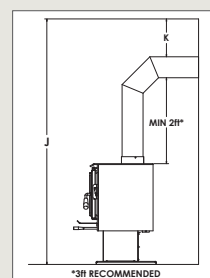
Royal Guardian



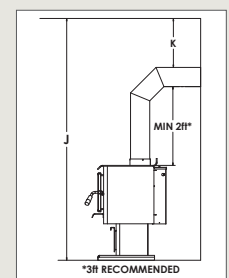
*1 = 3 1/2" in Canada and 2 1/2" in USA
*2 = 65 5/8" in Canada and 63 5/8" in USA



*1 = 4 1/4" in Canada and 2 1/2" in USA
*2 = 65 5/8" in Canada and 63 5/8" in USA



*3H RECOMMENDED



*3H RECOMMENDED